

## Outdoor Porcelain Termination



- 瓷套式终端历史悠久，运行稳定可靠。应力锥为液体硅橡胶高温硫化一次成型，瓷套内填充绝缘剂。
- 适用范围：用于挤出型绝缘电力电缆95~2500mm<sup>2</sup>，适用于大型化工、钢铁、发电企业、沿海地区及远离城市中心区。
- 瓷套采用高强瓷，大小伞裙间隔设计，爬距设计更加合理，从而大大提高产品的污闪性能（66kV~110kV的瓷套采用一体泥坯结构）。
- 采用可靠的密封结构防止终端在运行过程中瓷套出现渗水、漏油等现象。
- 应力锥接地可靠，产品安装方便。
- 安装底板设计有取油口，方便定期检测。
- 根据用户需要，可加装防爆装置。
- It is made up of porcelain insulator with insulating oil in it and with long reliable steady-going running history. The stress-relief cone is prefabricated.
- Cable section: 95~2500mm<sup>2</sup> particularly suitable for chemical industry, steel industry, power industry, littoral area and the area far from the center of the city.
- The porcelain insulator is made of high electricity performance porcelain with big and small skirts and long creepage distance(One piece mud of 66~110kV porcelain insulator).
- The structure and the method of sealing are reliable and make sure no leakage.
- The earthing of the stress-relief cone is reliable. Easy to install.
- There is a check hole in the base plate.
- According user's needs, we can install a set against explode.

### 电气性能—Electric performance

电压等级 Rated voltage	额定电压 U <sub>0</sub> (kV)	最高运行电压 U <sub>m</sub> (kV)	耐压30min (kV)	BIL(kV)	公称爬距 (IV级)(mm)
52/66	52	72.5	130	325	2248
64/110	64	126	160	550	3910
76/132	76	145	190	650	4500
127/220	127	252	318	1050	7810
290/500	290	550	580(60min)	1550	17100

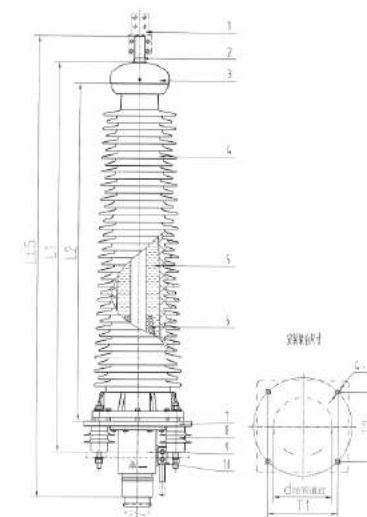
## Outdoor Porcelain Termination

### 主要部件

1. 出线金具
2. 出线杆
3. 均压罩
4. 瓷套
5. 绝缘填充剂
6. 应力锥
7. 安装底板
8. 支撑绝缘子
9. 尾管
10. 接地端子

### Main parts

1. Terminal lug
2. Pole
3. Screen
4. Porcelain
5. Insulating fluid filled
6. Stress-relief cone
7. Base plate
8. Support insulation
9. Tail
10. Earth electrode



### 安装尺寸 (mm) — Installation dimension

注：L1、L2、L尺寸仅供参考

L1	L2	L	M1	T1	T2	d
1475	1325	2000	M20	320	320	Φ250
1475	1325	2000	M20	320	320	Φ250
1620	1470	2110	M20	320	320	Φ250
2600	2320	3200	M30	450	450	Φ320
6250	5810	6798	M30	600	600	Φ450

### Composite Outdoor Termination



- 复合套管式终端，由环氧套管一次性外覆液体硅胶制成，终端套管内填充绝缘剂。
- 适用范围：用于挤出型绝缘电力电缆95~2500mm<sup>2</sup>，适用于户外、沿海及高污秽地区，特别适用于城市中心区域及周边地区。
- 具有显著的安全防爆性，不伤及人员和周边设备，重量轻，便于安装，同等额定电压，重量不足瓷套重量的30%，结构设计极利于安装操作。
- 优良的耐污性，抗紫外线及良好的抗老化性。
- 应力锥接地可靠。
- 根据用户需要，提供直管、锥管二种结构型式。
- It is made up of epoxy tube cover Silicone Insulator with insulating oil in it, suitable for outdoor or contamination area. The stress-relief cone is prefabricated.
- Cable cross section: 95~2500mm<sup>2</sup>, Excellent vibration-resistance performance, no danger in explosion. Its weight is so light and easy to install. Suitable for the littoral area and the area near the center of the city.
- Its weight is less than 30% of porcelain insulator with the same rated voltage. It is easy to load and unload for transportation.
- Excellent capability of ultraviolet resistance, aging resistance Weather resistance and anticorrosion.
- The earthing of the stress-relief cone is reliable.
- According user's needs, we can afford straight or taper products.

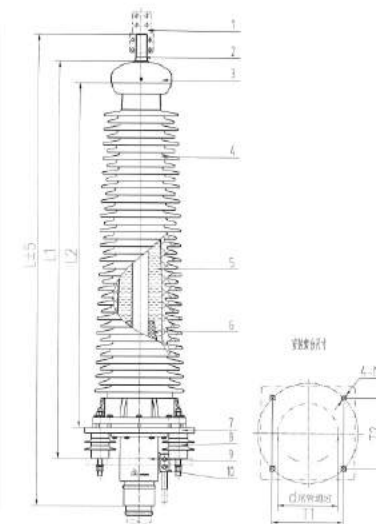
### Composite Outdoor Termination

#### 主要部件

1. 出线金具
2. 出线杆
3. 均压罩
4. 复合套管
5. 绝缘填充剂
6. 应力锥
7. 底板
8. 支撑绝缘子
9. 尾管
10. 接地端子

#### Main parts

1. Terminal lug
2. Pole
3. Screen
4. Composite tube
5. Insulating fluid filled
6. Stress-relief cone
7. Base plate
8. Support insulation
9. Tail
10. Earthing electrode



#### 电气性能—Electric performance

电压等级 Rated voltage	额定电压 U <sub>0</sub> (kV)	最高运行电压 U <sub>m</sub> (kV)	耐压30min (kV)	BIL(kV)	公称爬距≥ (IV级)(mm)
52/66	52	72.5	130	325	2248
64/110	64	126	160	550	3910
76/132	76	145	190	650	4500
127/220	127	252	318	1050	7810
290/500	290	550	580(60min)	1550	17100

#### 安装尺寸 (mm) —Installation dimension

注：L1、L2、L尺寸仅供参考

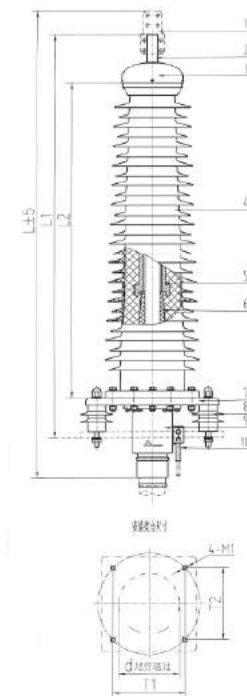
L1	L2	L	M1	T1	T2	d
1350	1210	2000	M20	320	320	Φ250
1350	1210	2000	M20	320	320	Φ250
1460	1310	2110	M20	320	320	Φ250
2402	2170	3200	M30	390	390	Φ320
4600	4200	5210	M30	700	700	Φ450

### Outdoor Termination of rigid support and dry type



- 本产品主绝缘材料为环氧树脂和硅橡胶外套。
  - 内置弹簧锥托顶应力锥结构形式，在应力与环氧套和电缆接触面之间保持稳定持久压力。产品具有无油、无瓷，安装方便等特点，无须维护。
  - 产品和瓷套终端具有相同的刚性，克服了柔性终端刚性差的缺点，特别运用沿海地区、城市中心及周边地区。
  - 改变不同的金具，分为压接式和插拔式二种结构形式。
- The main insulating material of the product is made of epoxy tube and silicone without oil and porcelain, easy to installation and maintenance.
  - The stress-relief cone structure with spring inside keep a stabilization press between stress-relief cone and cable/epoxy.
  - It is as strong as porcelain structure, which is particularly suitable for littoral area and the area near the center of the city.
  - It can be divided to compress-in and plug-in style as the hardware changes.

### Outdoor Termination of rigid support and dry type



#### 主要部件

1. 出线金具
2. 出线杆
3. 均压罩
4. 复合绝缘套管
5. 高压屏蔽嵌件
6. 应力锥
7. 底板
8. 支柱绝缘子
9. 尾管
10. 接地端子

#### Main parts

1. Terminal lug
2. Pole
3. Screen
4. Composite insulating tube
5. High Voltage electrode
6. Stress-relief cone
7. Base plate
8. Support insulation
9. Tail
10. Earthing electrode

#### 电气性能—Electric performance

电压等级 Rated voltage	额定电压 U <sub>0</sub> (kV)	最高运行电压 U <sub>m</sub> (kV)	耐压30min (kV)	BIL(kV)	公称爬距≥ (IV级)(mm)
52/66	52	72.5	130	325	2248
64/110	64	126	160	550	3910
76/132	76	145	190	650	4500
127/220	127	252	320	1050	7810

#### 安装尺寸 (mm) —Installation dimension

注: L1、L2、L尺寸仅供参考

L1	L2	L	M1	T1	T2	d
1570	1200	1925	M20	320	320	Φ250
1670	1300	2025	M20	320	320	Φ250
1670	1300	2025	M20	320	320	Φ250
2690	2320	3045	M30	390	390	Φ320

## Outdoor Termination with Prefabricated Silicone Rubber

- 全预制干式终端选用性能优良的进口液体硅胶，一次注射成型。并具有无油、防爆等特点。
- 适用范围：用于挤出型绝缘电力电缆95~2500mm<sup>2</sup>，适用于人口密集区，户内变电站及高海拔地区、高污染地区，特别适用于城市中心人口稠密地区及周边地区，安全可靠。
- 应力锥及伞裙均为进口液体硅胶一次注模成型，无纵向合模缝，确保产品能在恶劣的气候条件下和高污染地区安全运行。
- 结构简单、体积小、重量轻，重量只有瓷套式终端的1/10，安装方便，免维护。
- 产品外表面电场强度最高区域均有全伞裙遮盖。
- 安装位置灵活，可垂直、倾斜安装，抗震，防爆。
- 干式结构，杜绝了因漏油等相关原因而造成的事故。
- 产品泄漏比距≥31mm/kV，并可为特殊环境下提供特殊产品。
- 底部的金属尾管使产品具有一定的刚性，适应不同的气候环境。

- It is integrated, made of excellent electricity performance liquid silicone, without oil, no explosion.
- It is particularly suitable for Cable section 95~2500mm<sup>2</sup>, high density population district, inside power station and high altitude area, serious contaminative area.
- The stress-relief cone and the skirts are prefabricated of excellent electricity performance liquid silicone, without vertical line on its surface, so that it can safely and stably running in bad weather area and serious contaminative area.
- Simple structure, small, light, its weight is less than 10% of porcelain insulator with the same rated voltage. easy to install and no maintenance.
- The outer surface of the highest electric field part is covered with skirts.
- Excellent vibration-resistance performance, installed with vertical or incline.
- Dry style so that there is no oil leakage accident happened.
- The creepage scale is over 31mm/kV. Special dimension product for special area can be delivered at any time.
- Metal tube in the tail make more rigidity, suitable all kind of weather environment.

### 电气性能—Electric performance

电压等级 Rated voltage	额定电压 U <sub>0</sub> (kV)	最高运行电压 U <sub>m</sub> (kV)	耐压30min (kV)	BIL(kV)	公称爬距≥ (IV级)(mm)
52/66	52	72.5	130	325	2248
64/110	64	126	160	550	3910
76/132	76	145	190	650	4500

## Outdoor Termination with Prefabricated Silicone Rubber

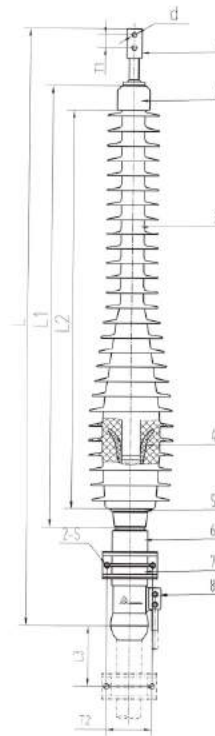


### 主要部件

1. 出线杆
2. 均压罩
3. 全预制绝缘套管
4. 应力锥
5. 集流环
6. 尾管
7. 电缆夹 (2件)
8. 接地端子

### Main parts

1. Pole
2. Screen
3. Prefabricated insulating tube
4. Stress-relief cone
5. Collect current ring
6. Tail
7. Clamping (2 piece)
8. Earthing electrode



### 安装尺寸 (mm) —Installation dimension

L	L1	L2	L3	N	d	T1	T2	S
1780	1262	1120	200	2	Φ17	45	150	13×18
1980	1462	1320	200	2	Φ17	45	150	13×18
2225	1707	1565	200	2	Φ17	45	150	13×18

### Branch Joint of solid insulation and dry type

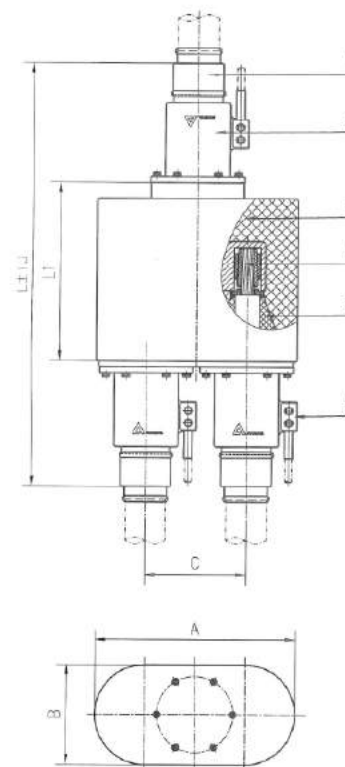
- 适用于66kV ~ 220kV挤出型绝缘电力电缆95 ~ 2500mm<sup>2</sup>的分支连接。安装于地面室内或电缆隧道、工井内。最大限度地节约投资和用地。
- 本产品主绝缘为环氧树脂，无须添加任何绝缘剂。金具插拔式结构，全绝缘、全干式、占地小、免维护。
- 根据使用场合的不同，可外加玻璃钢外壳。
- 根据工程需要，可预留线路，方便不同电缆截面之间的转换。
- It is particularly suitable for branch joint of 66kV ~ 220kV extruded cable section 95 ~ 2500mm<sup>2</sup>. It can be installed in house, cable's tunnel or cable's well.
- It is made of epoxy and silicone rubber insulator without oil. Plug-in style of connect conductor. Dry type, Compact structure, takes little space to install. Easy to install and no maintenance.
- FRP can be added according to different environment.
- It can be obligated one or two lines according to needs. Easy to connect different cable sizes.



#### 电气性能—Electric performance

电压等级 Rated voltage	额定电压 U <sub>0</sub> (kV)	最高运行电压 U <sub>m</sub> (kV)	耐压30min (kV)	BIL(kV)
52/66	52	72.5	130	325
64/110	64	126	160	550
76/132	76	145	190	650

### Branch Joint of solid insulation and dry type



#### 主要部件

1. 电缆尾部密封
2. 尾管
3. 环氧绝缘主体
4. 插拔连接组件
5. 应力锥
6. 接地端子

#### Main parts

1. Seal at tail
2. Tail
3. Epoxy part
4. Plug-in parts
5. Stress-relief cone
6. Earthing electrode

#### 安装尺寸 (mm) —Installation dimension

L	L1	A	B	C
960	350	450	240	230
1040	450	510	260	250
1040	450	510	260	250

Cable Branch Joint



- 产品用于110kV挤出型绝缘电力电缆240~2500mm<sup>2</sup>的电缆分支（三回路或四回路，即一支或二分支）。可简化供电线路接线方式，使用电缆分支接头可极大地节约投资和用地。
- 箱体内充满SF<sub>6</sub>气体，装有防爆膜、压力表、报警器以及充/放气阀等装置。箱体及环氧座在工厂内组装合格后出厂。插拔式电缆终端为现场组装制作，经试验合格后插入环氧座，构成分支接头。
- 根据用户需要，箱体内可灌装变压器油。
- It can be used for extruded cable branch range from 240~2500mm<sup>2</sup> cable branch, making the mode of connection simple and saving great amount of investment.
- The case is full of SF<sub>6</sub>, installed with explosion-resistance theca, pressure meter, annunciator and charge/release valve. Case and bushing are assembled in the factory and plug-in termination is installed at the locale and is stuck into the bushing after being tested.
- The case can be filled in oil substitute SF<sub>6</sub>.

**主要部件**

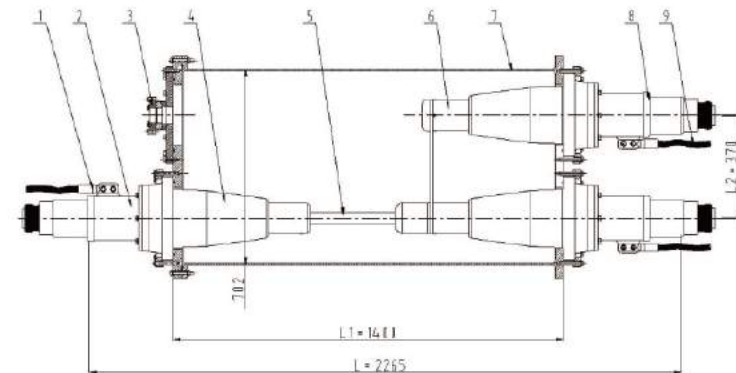
1. 接地端子
2. 尾管
3. 防爆损失装置（备用孔）
4. 环氧绝缘体
5. 内部导体连接
6. 分支连接
7. 密封罐体
8. 尾管外密封
9. 接地软线

**Main parts**

1. Earthing electrode
2. Tail
3. Reduce expense in blast(spare hole)
4. Epoxy
5. Conductor inside
6. Branch connect
7. Sealing case
8. Seal at tail
9. Soft earthing wire

Cable Branch Joint

- 全绝缘、全密封、耐腐蚀。
- 结构紧凑、电缆终端为插拔式。
- 安装简单、维修方便。
- 当一根电缆出现故障时可以拔下此电缆终端，插入绝缘闷头，另二根电缆继续运行。
- 每根电缆可以独立试验。
- 可预留一根线路，作为扩容备用。
- 箱体通过安全防爆试验，确保运行安全。
- 作为老线路开断接头。
- Fully insulated, fully sealed, anticorrosion.
- Compact design, plug-in termination.
- Easily installed and maintenance-convenient.
- If one cable is wrong, the other two can run normally after pulling out the bad termination and plug the stop-end. 3 cables can resume running so as to pull out the stop-end, plug in the termination which was maintained.
- Each cable can be tested individually.
- It can be obligated one or two lines according to work needs. Easy to connect different section.
- The case has passed the explosion-proof test specified in the standard, with high running reliability.
- It can be used for a joint in an older cable line.

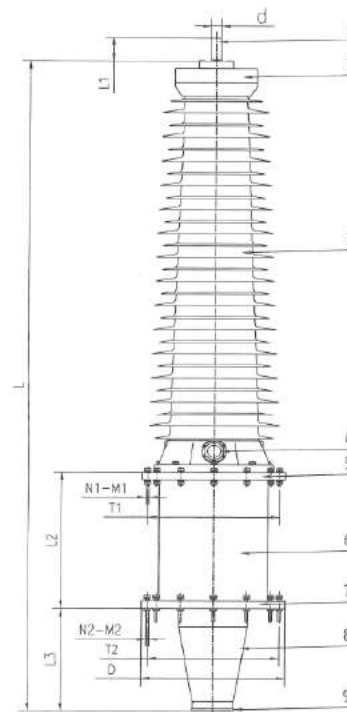


### Dry Bushing of Transformer

- 本公司将高压电缆附件生产技术应用于变压器套管。
- 套管的主绝缘为特种环氧树脂，特殊的电场控制方法。
- 套管外绝缘为硅橡胶。
- 套管的技术标准符合GB/T4109、IEC60137标准。

- Apply producing technology of high voltage cable accessories to transformer bushing.
- The main insulation of bushing is special epoxy; the control element of electric field is special stress-relief cone. Take the lead in developing geometric stress-relief cone bushing in the world.
- The out insulation made of silicone.
- Technology standard complies with GB/T4109、IEC60137.

### Dry Bushing of Transformer



#### 主要部件

1. 出线杆
2. 密封盖
3. 复合绝缘套管
4. 测温组件
5. 安装（连接）法兰
6. 升高座（选配件）
7. 安装（连接）法兰
8. 环氧绝缘主体

#### Main parts

1. Pole
2. Close cover
3. Composite insulating tube
4. Temperature measure
5. Fix(connect) flange
6. Hoist base (choose )
7. Fix(connect) flange
8. Epoxy part

#### 电气性能—Electric performance

电压等级 Rated voltage	额定电压 U <sub>0</sub> (kV)	最高运行电压 U <sub>m</sub> (kV)	耐压30min (kV)	BIL(kV)	公称爬距≤ (IV级)(mm)
64/110	64	126	160	550	3910

#### 安装尺寸 ( mm ) —Installation dimension

L	L1	L2	L3	d	D	T1	T2	N1/N2	M1/M2
2151	80	450	335	Φ28~Φ60	Φ420	Φ385	Φ385	12	M12

## Plug-in / Fixed Cable Termination

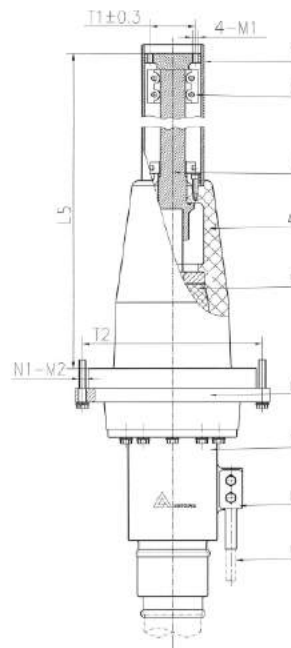


- GIS终端采用预制应力锥加环氧套管的组合型结构，不加任何绝缘剂，端部出线杆分为压接式和插拔式二种结构。
- 适用范围：用于挤出型绝缘电力电缆95 ~ 2500mm<sup>2</sup>，适用于各种型式GIS组合电器、变压器。产品外部的绝缘，既可是SF6，也可各种绝缘油。
- 弹簧压紧力施力于环氧套管锥形壁上的结构，在产品长期负荷运行中，维持恒久界面压力。
- 整个终端为全干式结构，无需任何绝缘浇注剂。
- 安装简便，接地可靠。
- It is made up of prefabricated stress-relief cone and epoxy bushing without insulating oil. The pole can be divided into compress-in and plug-in style.
- Cable cross section: 95 ~ 2500mm<sup>2</sup>. It is suitable for kinds of GIS or transformer. Whether SF6 or all kind of insulative oil can be used outer insulation of our products.
- The press of the spring compress on the cone wall of the bushing, so that the press of interface is kept permanently during the course of running.
- The termination is dry style without oil.
- The earthing is reliable and the installation is easy.

### 电气性能—Electric performance

电压等级 Rated voltage	额定电压 U <sub>0</sub> (kV)	最高运行电压 U <sub>m</sub> (kV)	耐压30min (kV)	BIL(kV)
52/66	52	72.5	130	325
64/110	64	126	160	550
76/132	76	145	190	650
127/220	127	252	318	1050
290/500	290	550	580(60min)	1550

## Fixed GIS Termination



### 主要部件

- |         |                       |
|---------|-----------------------|
| 1. 均压罩  | 1. Screen             |
| 2. 出线杆座 | 2. Pole base          |
| 3. 出线杆  | 3. Pole               |
| 4. 环氧套管 | 4. Epoxy tube         |
| 5. 应力锥  | 5. Stress-relief cone |
| 6. 安装法兰 | 6. Fix flange         |
| 7. 尾管   | 7. Tail               |
| 8. 接地端子 | 8. Earthing electrode |
| 9. 接地电缆 | 9. Earthing cable     |

### Main parts

### 主要结构形式 Structure types

序号	结构形式
1	插拔式470型 Plug-in GIS Termination, 470 type
2	插拔式757型 Plug-in GIS Termination, 757 type
3	压接式470型 Fixed GIS Termination, 470 type
4	压接式757型 Fixed GIS Termination, 757 type

出线杆的内断结构和长度变化，产生了均符合IEC60859/62271-206/IEC2007的四种结构形式。  
Change the length of pole bring the four lengths product that all according to IEC60859 or 62271-209/IEC2007.

### 安装尺寸 (mm) — Installation dimension

注：L尺寸可扩展为绝缘剂型所要求连接的尺寸，IEC60859-1999、62271-209/IEC2007，同时使用，用户需要按哪个标准供货要进行说明。  
Note: L can be expanded to meet the connecting dimension of oil termination.

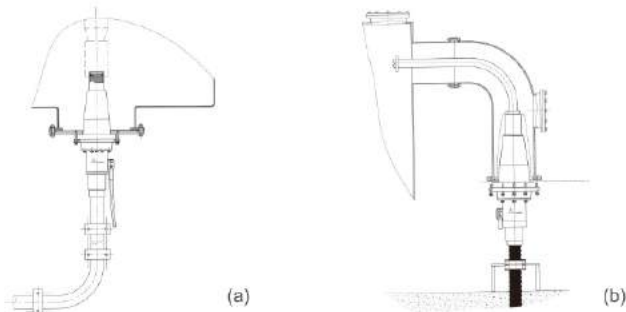
L5	M1	M2	N1	T1	T2
310	M10	M10	8	80 ± 1.0	270 ± 0.5
470/757	M10	M12	12	80 ± 1.0	320 ± 0.5
470/757	M10	M12	12	80 ± 1.0	320 ± 0.5
620/960	M12	M16	16	110 ± 1.0	582 ± 0.5
960/1400	M12	M16	20	110 ± 1.0	640 ± 0.5



## Oil or SF6 Transformer dry Type Termination

- Ankura-YJZGGCB、Ankura-YJZGG 干式终端可用于油浸或SF6变压器，其配合、安装尺寸符合 IEC60859或62271-209 @ IEC2007标准要求。订定货时请提供标准名称。
- 适用范围：用于挤出型绝缘电力电缆95 ~ 2500mm<sup>2</sup>，油浸或SF6变压器进出线。
- Ankura-YJZGGCB环氧座在工厂预先安装、调试，现场只需将终端插入，无需抽油排气，节省大量时间。设备和终端可分别试验，电缆系统竣工交接试验和故障检查试验更方便。安装简便，产品无需压接。
- It is improved on tradition termination to meet new requirements of electric system and assembly dimensions of it comply with IEC60859 or 62271-209 @ IEC2007 .Please Note it in order.
- It is suitable for Cable cross section: 95 ~ 2500mm<sup>2</sup>and oil or SF6 transformer.
- The epoxy bushing of Ankura-YJZGGCB can be installed and debugged beforehand. The only need on site is to install the termination. There is no need to pump in or out air, saving plenty of time. The facility and the termination can be tested respectively. It is easy testing after finishing cable system installation and checking fault.

### 应用举例 Example of application



### 电气性能—Electric performance

电压等级 Rated voltage	额定电压 U <sub>0</sub> (kV)	最高运行电压 U <sub>m</sub> (kV)	耐压30min (kV)	BIL(kV)
52/66	52	72.5	130	325
64/110	64	126	160	550
76/132	76	145	190	650
127/220	127	252	318	1050
290/500	290	550	580(60min)	1550

## Oil or SF6 Transformer dry Type Termination

### 主要部件

- 均压罩
- 出线杆座
- 出线杆
- 环氧套管
- 应力锥
- 安装法兰
- 尾管
- 接地端子
- 接地电缆

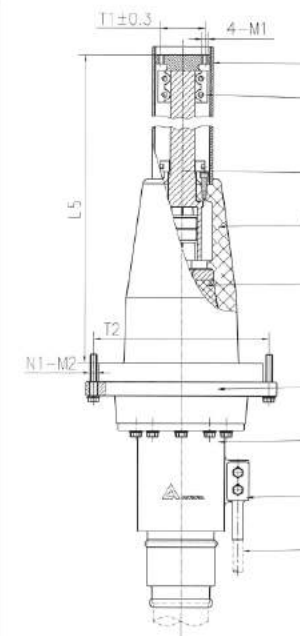
### Main parts

- Screen
- Pole base
- Pole
- Epoxy tube
- Stress-relief cone
- Fix flange
- Tail
- Earthing electrode
- Earthing cable

### 主要结构形式 Structure types

1	插拔式470型 Plug-in GIS termination, 470 type
2	插拔式757型 Plug-in GIS Termination, 757 type
3	压接式470型 Fixed GIS Termination, 470 type
4	压接式757型 Fixed GIS Termination, 757 type

出线杆的内部结构和长度变化，产生了均符合IEC60859或62271-209&IEC2007的四种结构形式。  
Change the length of pole bring the four lengths product that all according to IEC60859 or 62271-209 & IEC2007



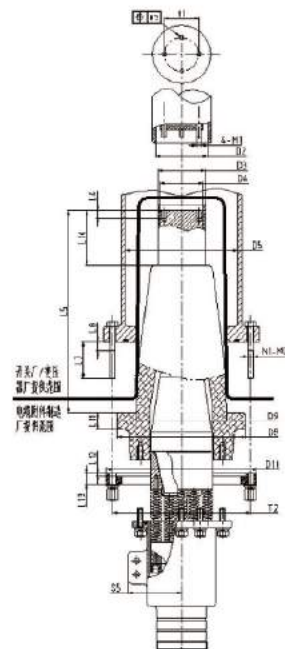
### 安装尺寸 (mm) —Installation dimension

注：L尺寸可扩展为绝缘前型所要求连接的尺寸，IEC60859、1999、62271-209 @ IEC2007，同时使用，用户需要按哪个标准供货要进行说明。  
Note: L can be expanded to meet the connecting dimension of oil termination.

L5	M1	M2	N1	T1	T2
310	M10	M10	8	80 ± 1.0	270 ± 0.5
470/757	M10	M12	12	80 ± 1.0	320 ± 0.5
470/757	M10	M12	12	80 ± 1.0	320 ± 0.5
620/960	M12	M16	16	110 ± 1.0	582 ± 0.5
960/1400	M12	M16	20	110 ± 1.0	640 ± 0.5

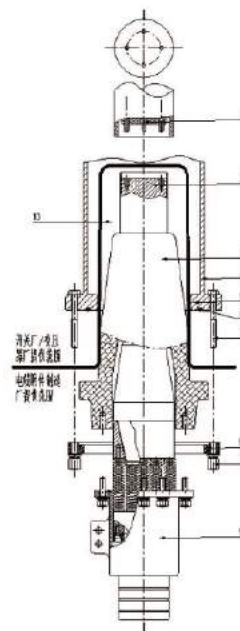
## Install Dimension of Termination

GIS终端（变压器终端）系列产品装配尺寸图  
Install Dimension of Termination



- Ankura-YJZGGCB、Ankura-YJZGG 干式终端可用于油浸或SF6变压器，其配合、安装尺寸符合IEC60859或62271-209©IEC2007标准要求。订货时请提供标准名称。
- 适用范围：用于挤出型绝缘电力电缆95~2500mm<sup>2</sup>，油浸或SF6变压器进出线。
- Ankura-YJZGGCB 环氧座在工厂预先安装、调试，现场只需将终端插入，无需抽油排气，节省大量时间。设备和终端可分别试验，电缆系统竣工交接试验和故障检查试验更方便。
- 安装简便，产品无需压接。
- It is improved on tradition termination to meet new requirements of electric system and assembly dimensions of it comply with IEC60859 or 62271-209©IEC2007. Please Note it in order.
- It is suitable for Cable cross section: 95~2500mm<sup>2</sup> and oil or SF6 transformer.
- The epoxy bushing of Ankura-YJZGGCB can be installed and debugged beforehand. The only need on site is to install the termination. There is no need to pump in or out air, saving plenty of time.
- The facility and the termination can be tested respectively. It is easy testing after finishing cable system installation and checking fault.

GIS终端（变压器终端）系列产品装配关系图  
Install Dimension of Termination



装配关系表-GIS installation components

序号	名称	制造厂	
		开关变压器设备	电缆附件厂
1	连接界面(上) Connection interface(up)	★	
2	连接界面(下) Connection interface(down)		★
3	环氧套管 Epoxy bushing		★
4	GIS外壳 Case	★	
5	设备法兰 Flange	★	
6	密封圈 Seal ring	★	
7	紧固件 Fixing screws	★	
8	安装法兰 Flange of fixing		★
9	尾管 Tail		★
10	SF6气体或绝缘油 SF6 or oil	★	

配合尺寸表-Installation measurement chart

额定电压 U(kV)	D2 min	D3 max	D4 min	D5 min	D8	D9 max	D10 max	L4 min	L5 ±1.0	L7 min	L8 max	L10 min	L11	L12	L13	T1 ±0.2	T2 ±0.2	N1	M1	M2	S5 min
66	101	99	100	300	245	188	298	20	310/583	90	30	55	30	5	25	80 ± 1.0	270 ± 0.5	8	10	10	120
110	112	110	100	300	298	196	348	20	470/757	100	30	55	40	5	25	80 ± 1.0	320 ± 0.5	12	10	12	132
132	112	110	100	300	298	215	348	20	470/757	100	30	55	40	5	25	80 ± 1.0	320 ± 0.5	12	10	12	132
220 (符合IEC60859)	202	200	140	400	454	375	500	21	620/960	110	30	105	40	5	25	110 ± 1.0	582 ± 0.5	16	12	16	180
220 (符合IEC62271-209)	202	200	140	480	559	440	620	21	620/960	90	30	105	40	5	25	110 ± 1.0	582 ± 0.5	16	12	16	180
500	252	250	140	540	617	500	690	25	960/1400	130	30	105	60	5	40	110 ± 1.0	640 ± 0.5	20	12	20	218

生产能力  
Production Capacity



年产10000套应力锥的世界一流注橡系统  
Over 10000 accessories each year from this equipment



德国进口电缆附件生产用环氧浇铸系统  
The epoxy product line made in Germany



35kV-500kV 应力锥  
Stress-relief cone for 35kV ~ 500kV



66kV-500kV 环氧绝缘体  
Epoxy product for 66kV ~ 500kV

- 应力锥为电缆附件的核心零部件，应力锥材料为高温硫化硅橡胶。高温硫化硅橡胶与EPDM相比有更好的抗老化性能、低的热阻，硅橡胶的低硬度，能使应力锥与电缆绝缘截面更好地贴合。
- The stress-relief cone is the key part in Accessories.it made of SIR ( Silicone rubber ) in high temperature. SIR has more capability of ultraviolet resistance, aging resistance weather resistance and anti corrosion than EPDM (ethylene propylene diene modified).

- 环氧套管为GIS终端的关键零部件。环氧树脂固体绝缘也是替代油绝缘、气绝缘的一种新型绝缘方式。
- Epoxy part is the key part in GIS termination. It can be used substitute SF6 or oil.

Grounding Case/Grounding Protective Case

Ankura-JDX型用于三相单芯电缆护层的直接接地；  
Ankura-JDBX型用于三相单芯电缆护层的保护接地。

The type Ankura-JDX suits direct grounding of the outer sheath of cable with single core and 3 phrases. The type Ankura-JDBX suits protective grounding of the outer sheath of cable with single core and 3 phrase.



- 箱体材料采用不锈钢板和特种绝缘材料。机械强度高，绝缘性能好，有较好的密封防水性能。
- 其内部导电部分采用铜板连接，接触电阻小，导电性能优良。
- Ankura-JDBX内部配备有BHQ型电缆护层保护器。能有效防止电缆护层过电压，确保电缆正常工作。
- 可直埋安装，也可挂墙安装。

- The body of the case is made of stainless steel board and special insulation material with high mechanical intensity and excellent insulation and good sealing property.
- The inner patchboard has good conductivity with little resistance.
- The type JDBX is equipped with type BHQ arrester so as to ensure that the cable can run safely and reliably.
- The case can be installed by straight burying or hung on wall.

电气性能—Electric performance

序号 Items	试验项目 Testing items	技术要求 Technology requirements
1	直流耐压试验（型式试验） D.C withstand voltage test (type test)	20kV, 历时1min, 不闪络, 不击穿 No breakdown or flashover shall occur at 20kV, 1min
2	冲击电压试验（型式试验） Impulse voltage test (type test)	峰值40kV, 正负极性各10次, 不闪络, 不击穿 No breakdown or flashover shall occur at 10 positive and 10 negative impulse voltages of 40kV.
3	连接排与外壳间绝缘电阻试验（出厂试验） Insulation resistance between the connect row and outer shell test (Routine test)	≥20MΩ
4	连接排接触电阻试验（出厂试验） Connect row contacting resistance test (Routine test)	≤20μΩ

Cross-interlinked Case

Ankura-JCHX交叉互联箱，金属屏蔽层的交叉互联，它能限制护套和绝缘接头两侧过电压的升高，限制金属护套的感应电压，减少、消除护层上的环形电流，提高电缆的输送容量，防止电缆外护层被击穿，确保电缆安全可靠地运行。



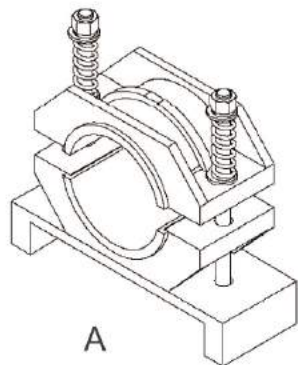
Functions as restraining metal sheath and sectionalizing joint of both sides are assaulted by rising of voltage. Control the inductive voltage of the metal sheath, reduce and dispel one layer of annular electric current, improve capacity of sending of cable, prevent protective layer of cable from puncturing, guarantee that the cable can run safely and reliably.



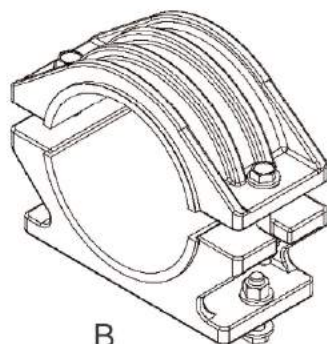
ANBQ型保护器性能-The performance of ANBQ arrester

序号 Items	试验项目 Testing items	技术要求 Technology requirements	
		ANBQ-I型	ANBQ-II型
1	适用电缆护层最高工频感应过电压 Max frequency reaction over voltage of cable screen	6kV	12kV
2	方波容量 2ms rectangular impulse current withstand	400A	400A
3	残压比 U500kA; U1mA	k≤2.5	k≤2.5
4	通流容量 Volume	65kV	65kV
5	直流残压试验 Reference voltage of D.C	1 mA, 残压 (Remnant Viltage) ≥4.5kV	1 mA, 残压 (Remnant Viltage) ≥9kV
6	8/20冲击电流试验（20次） 8/20μs impulse current test(20 times)	5kA, 残压 (Remnant Viltage) ≤9.5kV	5kA, 残压 (Remnant Viltage) ≤19kV

- 公司生产各种型号、结构型式的电缆夹
- 产品用途及特点:
- 该产品采用超硬防腐铝合金制造, 用于固定电缆的摆放位置, 其夹紧结构采用螺栓紧固。该产品结构紧凑合理, 安装方便灵活, 不损伤电缆。
- We have(sale) all kind of Clampings.
- Use and characteristic:
- The body of the case is made of stainless steel board and special insulation material with high mechanical intensity and excellent insulation and good sealing property.



A



B



规格表- Specification List

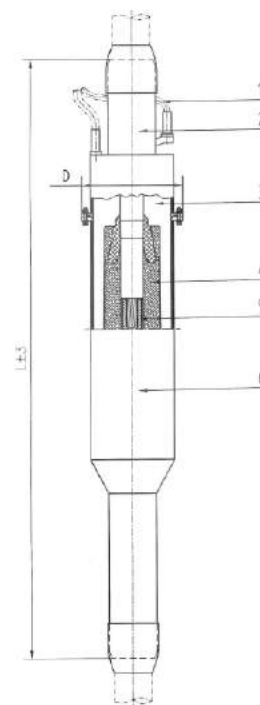
型号	适用电缆 外径 (mm)	适用110kV(单芯) 电缆截面 (mm <sup>2</sup> )	适用220kV(单芯) 电缆截面 (mm <sup>2</sup> )	适用500kV(单芯) 电缆截面 (mm <sup>2</sup> )	安装孔距	安装螺栓	外形尺寸 (长×宽×高)
Ankura-DJ-01	Φ75-Φ85				Φ14-150	2-M12×150	170×80×126
Ankura-DJ-02	Φ86-Φ105	240-630	240-630		Φ14-150	2-M12×150	180×150×136
Ankura-DJ-03	Φ106-Φ135	1000-1800	500-1600	240-1000	Φ14-190	2-M12×190	220×80×189
Ankura-DJ-03	Φ120-Φ135	1400-1800	1000-1600	630-1000	Φ14-190	2-M12×190	220×80×180
Ankura-DJ-04	Φ130-Φ155	1800-2500	1400-2500	1000-1600	Φ14-190	2-M12×80	250×100×201
Ankura-DJ-05	Φ140-Φ165	2500	2000-2500	1400-2500	Φ14-230	2-M12×190	260×120×214
Ankura-DJ-06	Φ150-Φ170		2500	1800-2500	Φ14-190	2-M12×80	265×100×219

## Straight Joint/ Insulated Joint

- 产品主体为整体预制式结构，绝缘、高压屏蔽、应力锥一体化。
  - 接头外壳为隔磁金属管制作，外层为包覆特殊绝缘材料，确保高强度机械保护和绝缘防腐。另有玻璃钢壳保护盒，盒内有防水密封材料，可用于隧道直埋及可能浸水的场所。
  - 接头主体采用硅橡胶全预制结构。采用特殊工艺机械现场扩张后安装。
  - 外壳采用绝缘隔磁金属壳保护盒，机械性能好，同时具有良好的密封性。
  - 产品采用多项专利技术，安装方便，确保产品可靠运行。
  - 金属壳接地端子预先连接有金属软线，防水性能更佳。
- This is a single-piece slip-over joint. The main insulation of the joint is wholly prefabricated structure, integrating the insulating, high voltage screen and stress-relief cone.
  - The out shell of the joint is made of thick metal tube and the out layer is covered with insulated layer with high density ,ensuring the high intensity mechanical protection, insulating and anticorrosion. It is equipped additionally with protective FRP (fibre-reinforce-platic) box which is filled with water-resistance sealing material and suitable for burying with vertical and the location that may be water immersed.
  - The outer screen of main insulating is made of extruding technology.The main insulation is wholly prefabricated. Installed by mechanical per-expanded technology at locale.
  - The outer protection is made of insulating material shell. It has excellent mechanical protection、sealing property and against magnetization. Reasonable design, compact structure, install easily and running reliably.
  - Many patent and Reasonable design in it, install esaily and running reliably.
  - As earthing terminal with metallic shell previously connects with soft-annealed wire, its waterproofness comes better.



## Straight Joint/ Insulated Joint



### 主要部件

1. 同轴电缆
2. 金属绝缘短保护壳
3. 绝缘防水密封胶
4. 整体预制橡胶主体
5. 铜连接管和电缆芯
6. 金属绝缘长保护壳

### Main parts

1. Coaxial cable
2. Short insulating case
3. Insulated waterproof glue
4. One-piece slip-over rubber
5. Copper connector and conductor of a cable
6. Long insulating case

### 外形尺寸(mm)-Outer dimensions

电压等级	L	D
52/66	1700	Φ 250
64/110	1700	Φ 250
76/132	1700	Φ 250
127/220	2100	Φ 320
290/500	2860	Φ 590

### 电气性能-Electric performance

电压等级 Rated voltage	额定电压 U <sub>0</sub> (kV)	最高运行电压 U <sub>m</sub> (kV)	耐压30min (kV)	BIL(kV)
52/66	52	72.5	130	325
64/110	64	126	160	550
76/132	76	145	190	650
127/220	127	252	318	1050
290/500	290	550	580(60min)	1550